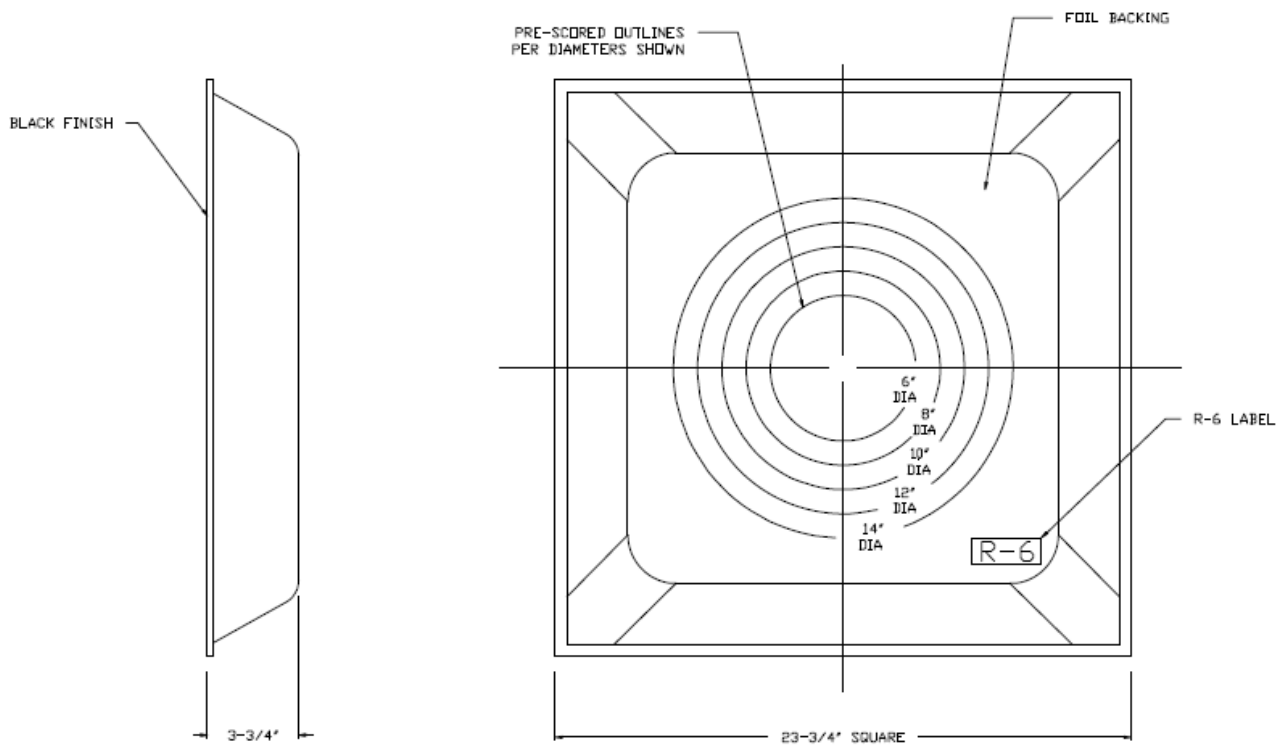



MODEL MFB

MOLDED FIBERGLASS BACK

MODEL MFB – MOLDED FIBERGLASS BACK

1. R-6 FIBERGLASS INSULATION
2. MOLDED BACK TO FIT OVER SELECTED 2'X2' NOMINAL LAY-IN DIFFUSERS
3. FOIL FACING
4. PRE-SCORED FOR ROUND NECK SIZES 6" TO 14"
5. BLACK INTERIOR FINISH



Submittal No. MFB	Revision: A	Date: 11/22/2013	Submitted by:	Date submitted:
			Project Name:	Location: