

MODEL DDV/DDH

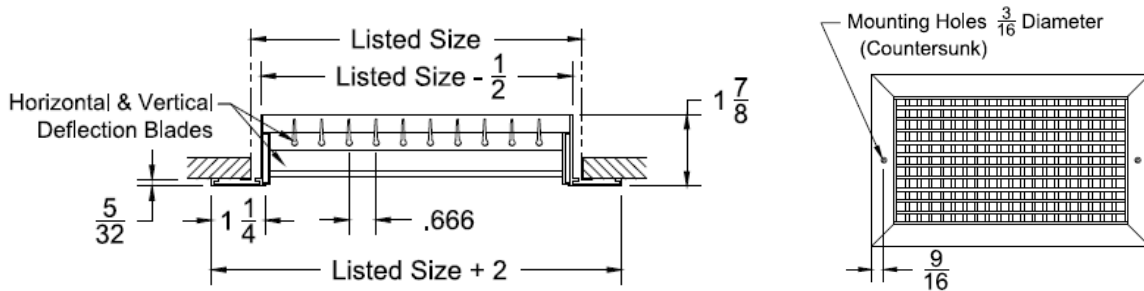
DOUBLE DEFLECTION GRILLE – VERTICAL / HORIZONTAL BLADES

MODEL DDV – DOUBLE DEFLECTION GRILLE – VERTICAL (V) / HORIZONTAL (H)

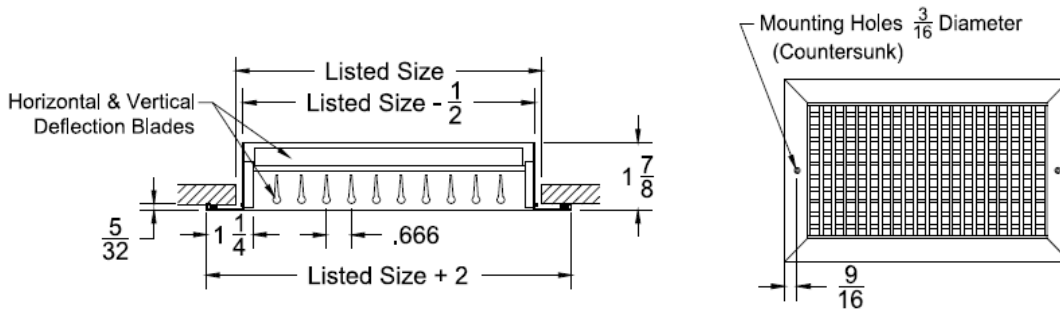
FRONT BLADES

1. ALUMINUM
2. SURFACE MOUNT
3. DDV = VERTICAL FRONT BLADES / HORIZONTAL BACK BLADES
4. DDH = HORIZONTAL FRONT BLADES / VERTICAL BACK BLADES
5. NECK SIZES: 6"x4" THROUGH 144"x144"
6. ADD **OBD** TO PART STRING FOR OPPOSED BLADE DAMPER
7. FINISH: WHITE STANDARD, OPTIONAL (ADDITIONAL CHARGE): BLACK AND SILVER

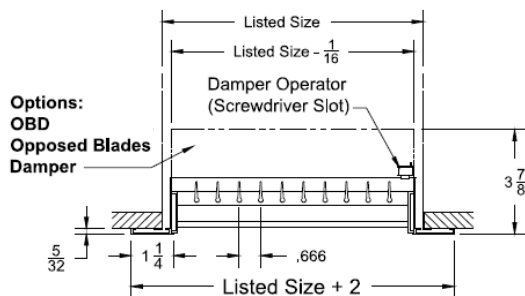
DDH – HORIZONTAL FRONT BLADES




DDV – VERTICAL FRONT BLADES



DAMPER OPTION



Submittal No. DDV/DDH	Revision: A	Date: 11/22/2013	Submitted by:	Date submitted:
			Project Name:	Location: