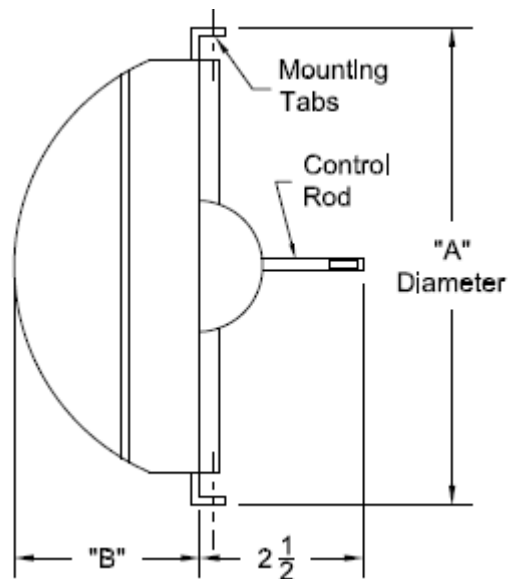
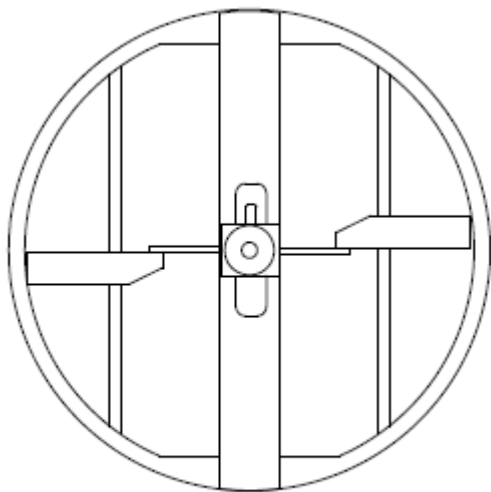


MODEL BD


BUTTERFLY DAMPER

MODEL BD – BUTTERFLY DAMPER

1. GALVANIZED STEEL CONSTRUCTION
2. ROUND NECK SIZES: 6", 8", 10", 12", 14", 15" AND 16" DIAMETER
3. DAMPERS ARE SHIPPED LOOSE FROM THE DIFFUSER
4. FINISH: MILL



Diffuser Neck Size	BD Dimension	
	A	B
6	5 3/4	2 1/2
8	7 3/4	3 1/2
10	9 3/4	4 1/2
12	11 3/4	5 1/2
14	13 3/4	6 1/2
15	14 3/4	7
16	15 3/4	7 1/2

Submittal No. BD	Revision: A	Date: 11/22/2013	Submitted by:	Date submitted:
			Project Name:	Location: