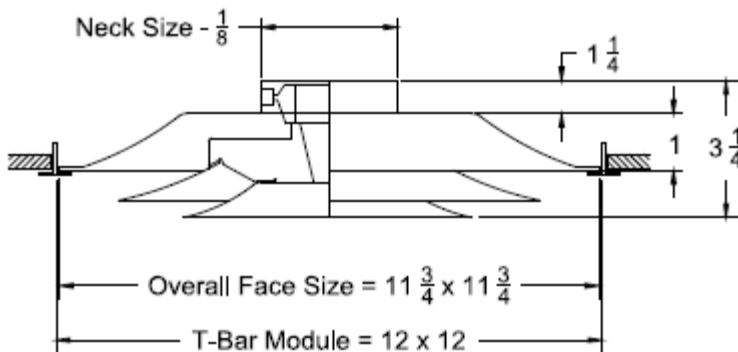
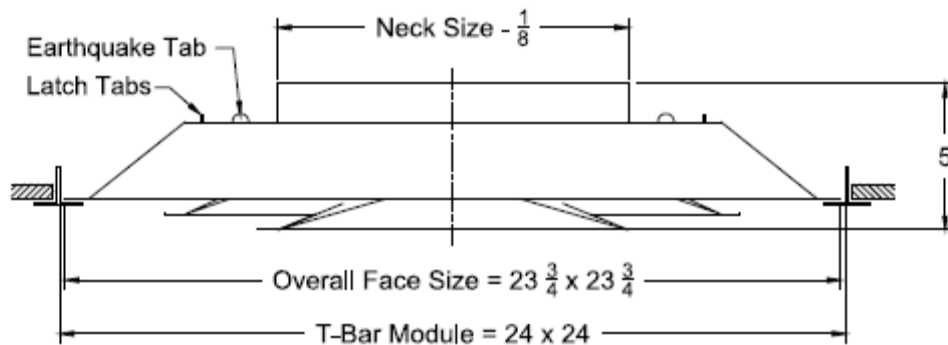



MODEL 2HV-LI

T BAR HIGH VOLUME DIFFUSER – 2 CONE

MODEL 2HV-LI – T-BAR HIGH VOLUME DIFFUSER – 2 CONE

1. STEEL CONSTRUCTION
2. LAY-IN
3. NECK SIZES: 6", 8", 10", 12" 14", 15"
4. ADD **BD** TO PART STRING FOR BUTTERFLY DAMPER, OR **RD** FOR RADIAL DAMPER (DAMPERS SHIP SEPARATELY)
5. AVAILABLE WITH R6 MOLDED FIBERGLASS BACK – ADD **MFB** TO PART STRING
6. FINISH: WHITE STANDARD, OPTIONAL (ADDITIONAL CHARGE): BLACK AND SILVER



Submittal No. 2HV-LI	Revision: A	Date: 11/22/2013	Submitted by:	Date submitted:
			Project Name:	Location: