



SPECIFICATION SHEET

GLCD400SS - 1 H.P.

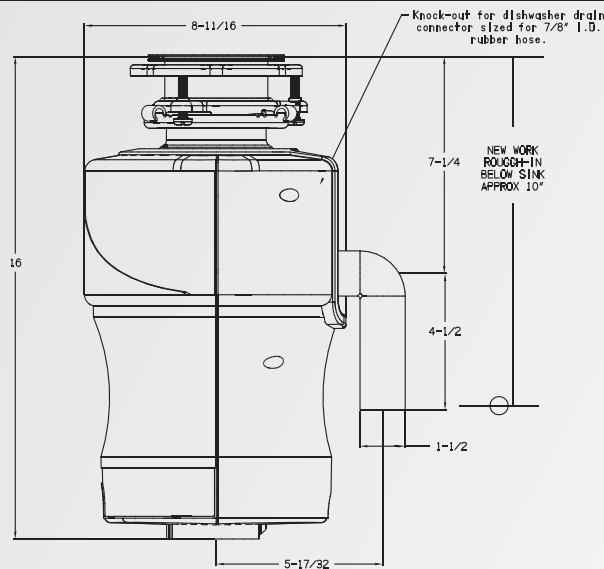
PROFESSIONAL 3-BOLT MOUNT SYSTEM

FOOD WASTE DISPOSER

- High-speed 2800 r.p.m. permanent magnet motor produces more power per pound.
- Stainless steel, rust free grinding components.
- Longest warranties in the industry demonstrates commitment to quality.
- Sound insulated for quiet operation.
- Safe for properly sized septic tanks.
- Universal mounting system



Dimensions



Warranty

Any Model GLCD400SS that fails to operate during the lifetime of the original purchaser and limited to the original purchaser, will be replaced in your home free of charge.

LIFETIME WARRANTY AGAINST CORROSION

Any Model GLCD400SS that fails to operate because of corrosion will be repaired or replaced free of charge to the original purchaser. Labor not included.

Specifications

Motor Horse Power	1 H.P.
Motor Speed R.P.M.	2800
Voltage	110-120
Hz	60
Current-Amps	7.0
Motor Type	Permanent Magnet
Sink Flange	Stainless Steel
Stopper	Positive Seal
Splash Guard	Not Removable
Waste Elbow	ABS
Feed	Continuous
Grinding Ring	Stainless Steel
Swivel Impellers	Cast Stainless Steel
Turntable	Stainless Steel
Hopper	Glass Filled Nylon
Grinding Chamber	Corrosion Proof Glass Filled Polyester
Bearings	Permanently Lubricated; Sleeve Type
Overload Protector	Manual Reset Type
Shipping Weight (lbs.)	18 Lbs.
Pallet Quantity	100
36" power cord included	



For Questions and/or Services, please call:
1-800-854-3229

Due to continue product improvement, specifications may change without notice.